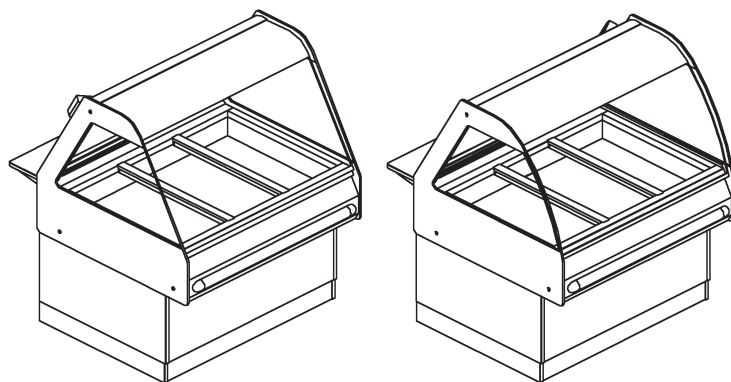


Global Hot Food Display Merchandiser

NEW FROM BKI



- Expanded product range
- State of the art touch screen controls
- Choice of glass profiles
- Proven, reliable BKI heating technology



Better From the Inside Out.

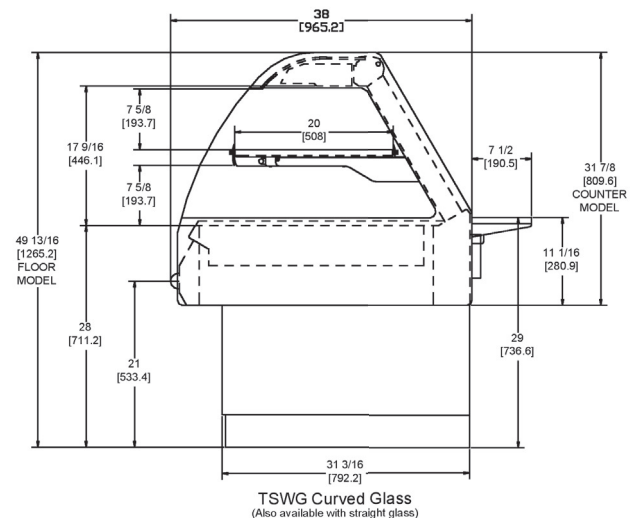
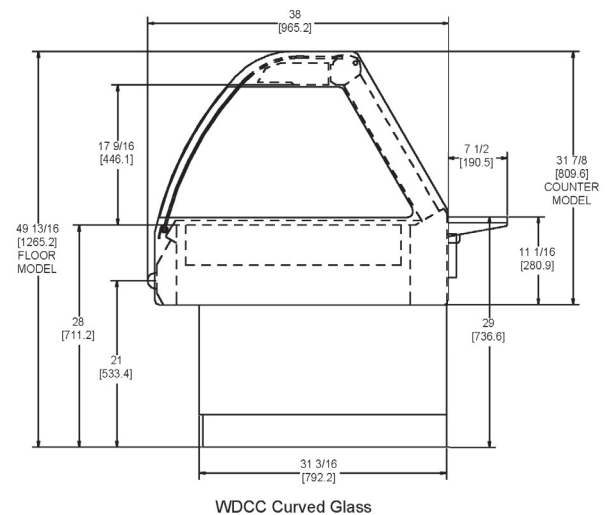
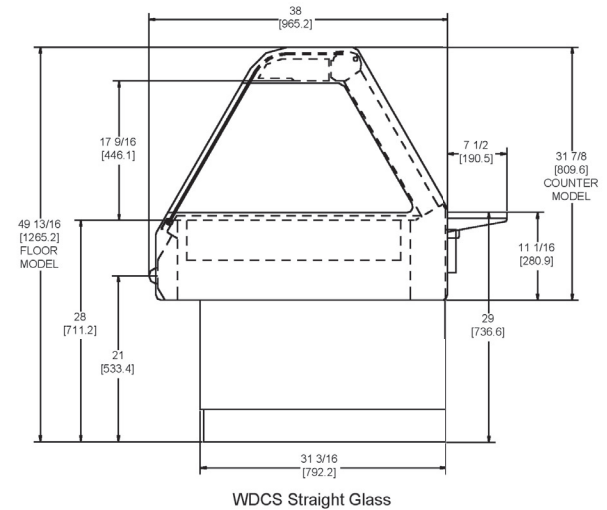


Global Hot Food Display Merchandiser

OTHER NEW FEATURES

- **Expanded product range.**
Added 4- and 6-well units to standard offering and nearly doubled the number of split case configurations available from stocked parts.
- **TouchTEC touch screen controller.**
Puts ALL of the controls in one location and in easy reach of the operator.
- **Case lengths shortened to minimum lengths.**
Gives the most efficient use of customer's floor space.
- **Heated cavity height increased over 2 inches.**
Gives better product visibility to customers.
- **Table top case bolts directly to base to create a floor mounted case.**
The need to change end panels and front trim panels to convert between cases has been eliminated making stocked units more flexible.
- **Drop-in surface warmer pans.**
A standard WDCG case is easily converted to a surface warmer with a drop-in pan, reach-in glass and reach-over guard. Simplifies production and makes field changes possible.

- Offered in **two** different front glass profiles similar to the leading refrigerated cases.
- Glass profiles are interchangeable on cases.
- The TSWG tiered warmer is also available in the new glass profiles.

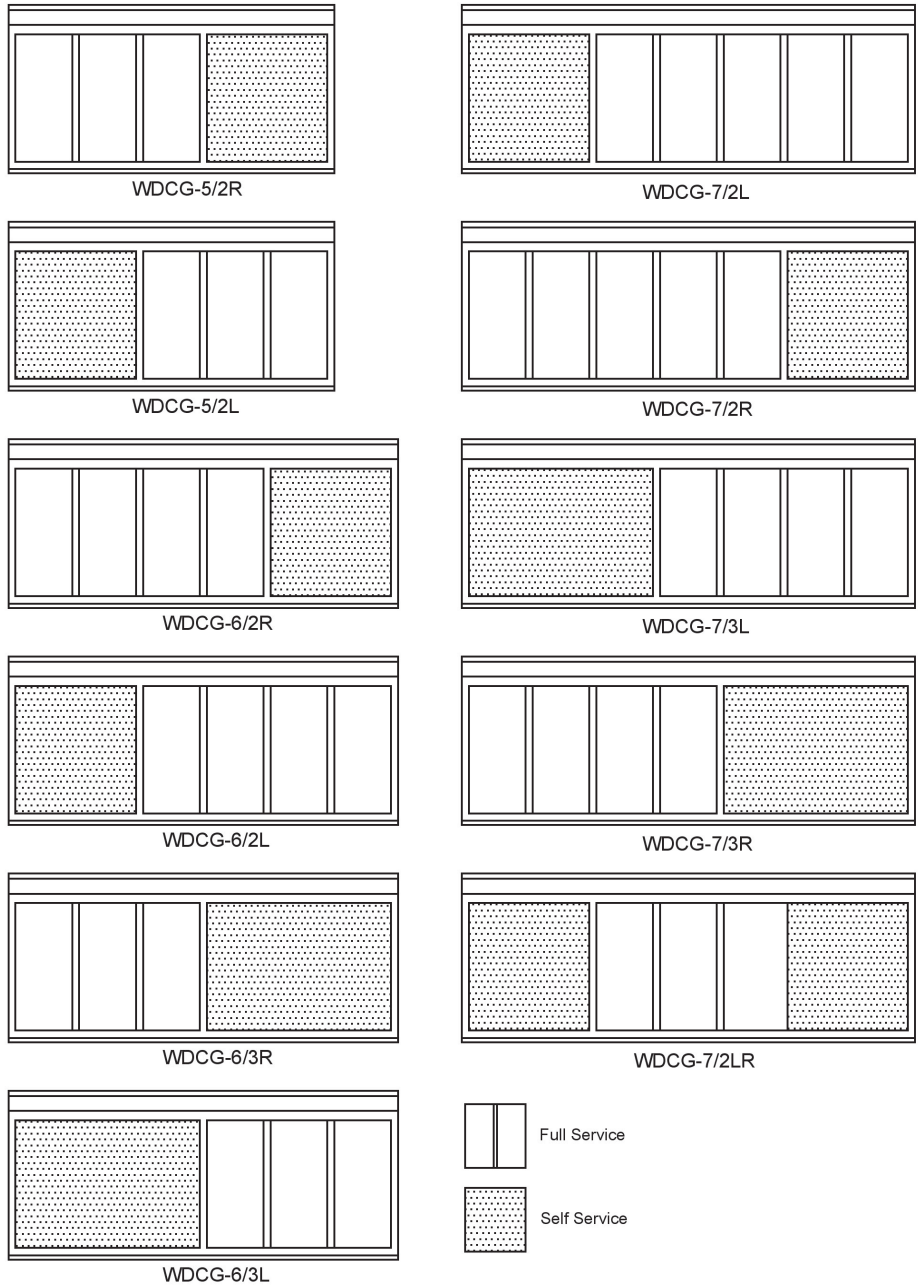


NEW FROM BKI

LENGTHS AVAILABLE



SPLIT CONFIGURATIONS AVAILABLE



- Now offered in five different lengths, from 3 wells to 7 wells.
- Each length available with either 5" deep well and dividers or 1" deep surface warmer.
- Almost double the split case configurations available.
- Split case configurations can be changed in the field.

Better From the Inside Out.



Global Hot Food Display Merchandiser

STANDARD FEATURES & OPTIONS

■ 5 Sizes of WDCG cases

- 3 Wells (42" [1067 mm] length)
- 4 Wells (55-1/2" [1410 mm] length)
- 5 Wells (69" [1753 mm] length)
- 6 Wells (82-1/2" [2096 mm] length)
- 7 Wells (96" [2438 mm] length)

■ 3 Sizes of TSWG cases

- 3 Wells (42" [1067 mm] length)
- 4 Wells (55-1/2" [1410 mm] length)
- 5 Wells (69" [1753 mm] length)

■ 3 Sizes of WDCG & TSWG oven combination cases

- 3 Wells (42" [1067 mm] length)
- 4 Wells (55-1/2" [1410 mm] length)
- 5 Wells (69" [1753 mm] length)

■ 3 Mounting Types

- Table top, full width floor base and pedestals.
- Cases are shipped from the factory mounted on the base or pedestals, no field assembly required.
- Optional sliding rear doors are available for floor bases.

■ 6 Case Heights on Base & Pedestal models

- 28" [711 mm] floor-to-counter height is standard. Also available in 31" [787 mm], 32" [813 mm], 34" [864 mm], 36" [914 mm] & 38" [965 mm].
- All have vertical adjustment for leveling of + 1-1/2" [38 mm]. Extended lead times may apply to non-standard heights.

■ 2 Front Glass Profiles Stocked

- Curved or straight. Both are available in full or reach-in glass.

■ Domestic & Export Electrical Connections

- 208 V & 220-240 V Domestic (Delta) & 220/380 V – 240/415 V Export (Wye)
- Both are 50 or 60 Hz.

■ SSSL or Painted Finish

- Brush stainless steel or painted to customer's specification.

■ 2" Protective Bumper on Base & Pedestal models

- Standard black with rounded end caps. Factory installed.
- Other colors are available, minimum order quantities may apply. No bumper on table top models.

■ 2 Types of End Panels

- 3/8" tempered glass with black graphics (standard) or 3/4" solid ends with bright annealed stainless interior and black laminate exterior.
- Other exterior colors are available for solid end panels, but require extended lead time.

■ Sliding Tempered Glass Rear Service Doors

- Available in clear (standard) or reflective (additional cost). 2 doors are provided on the 3, 4 & 5 well cases. 4 doors are provided on the 6 & 7 well cases.
- An optional 4 door set is available for the 5 well cases.

NOTE: The number in a model name for the WDCG represent the total number of wells. Previously it represented the total number of wells for WDC cases and the nominal warmer length for SSW cases. Therefore, what was previously referred to as a SSW-4 is now referred to as SSWG-3. Likewise, what was previously referred to as WDC-4/2L is now referred to as a WDCG-3/2L.